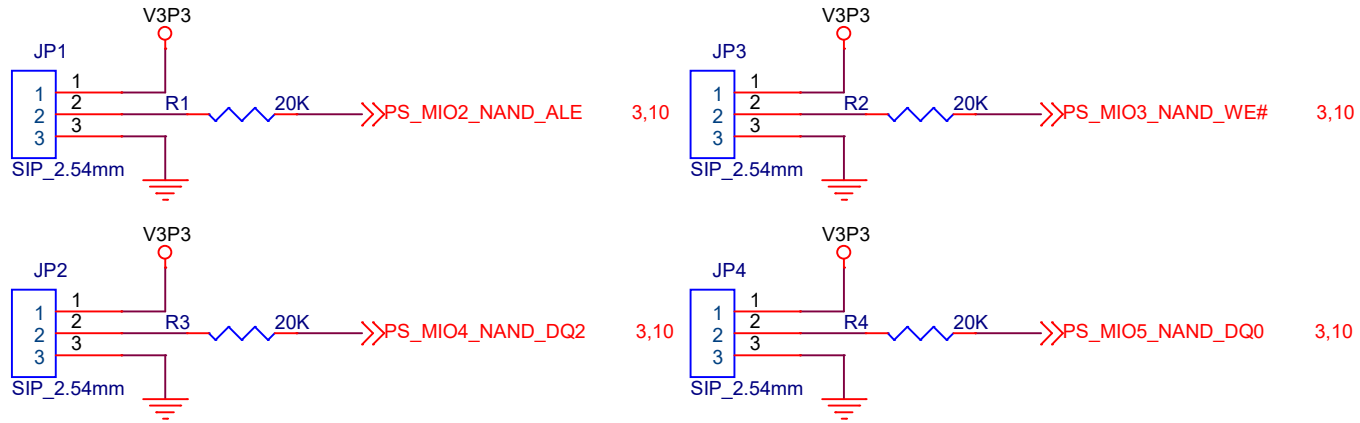


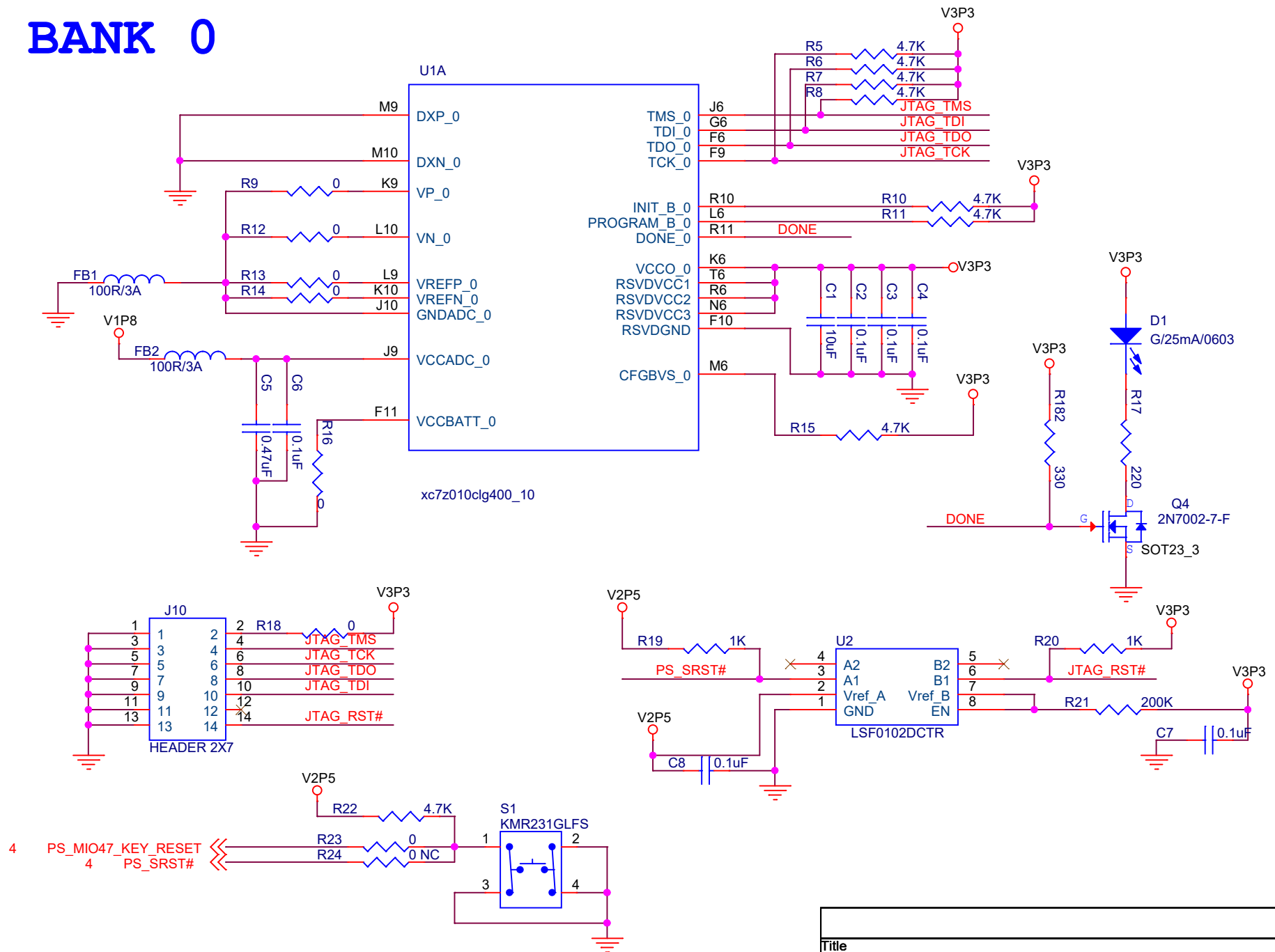
Boot Mode Select



Boot Mode	JP1	JP2	JP3	JP4
Cascade JTAG	0	0	0	0
TF Card	0	1	0	1
QSPI Flash	0	0	0	1
NOR Flash	0	0	1	0
NAND Flash	0	1	0	0

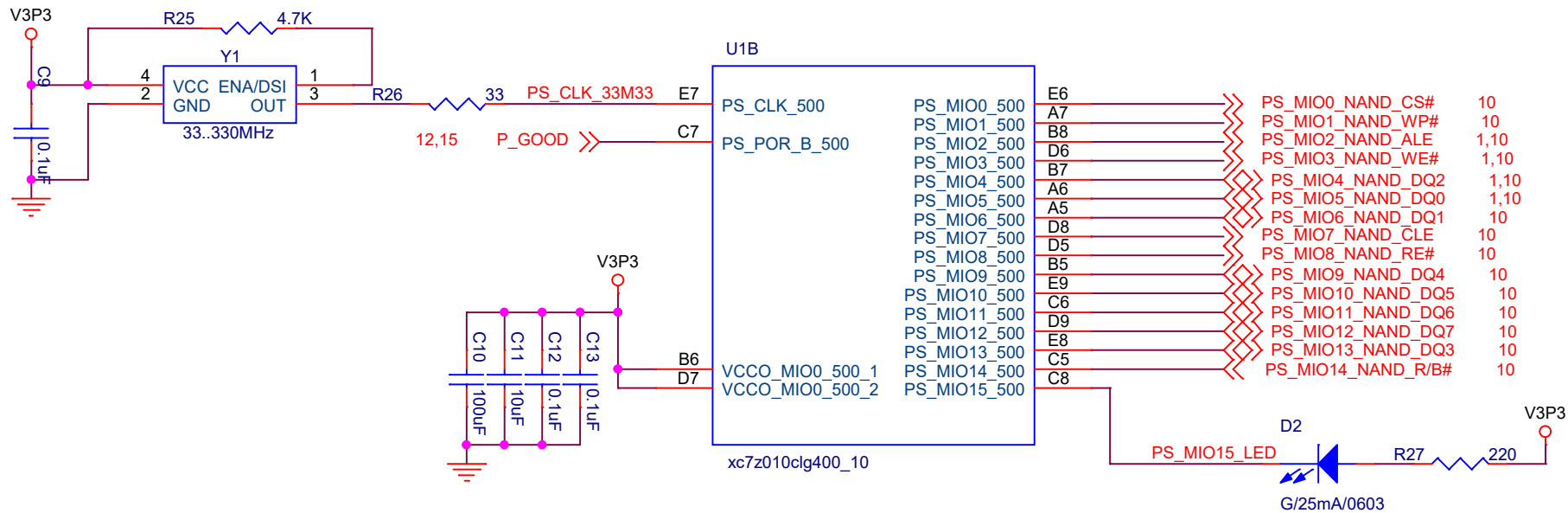
Title		
AntMiner_ControlBoard_XC7010		
Size	Document Number	Rev
A	<Doc>	V1.0
Date:	Friday, July 01, 2016	Sheet 1 of 15

BANK 0

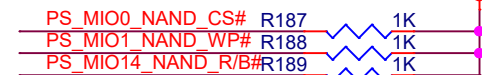
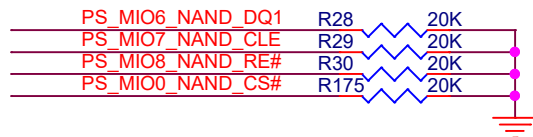


Title		
AntMiner_ControlBoard_XC7010		
Size	Document Number	Rev
A	<Doc>	V1.0
Date:	Friday, July 01, 2016	Sheet 2 of 15

BANK 500



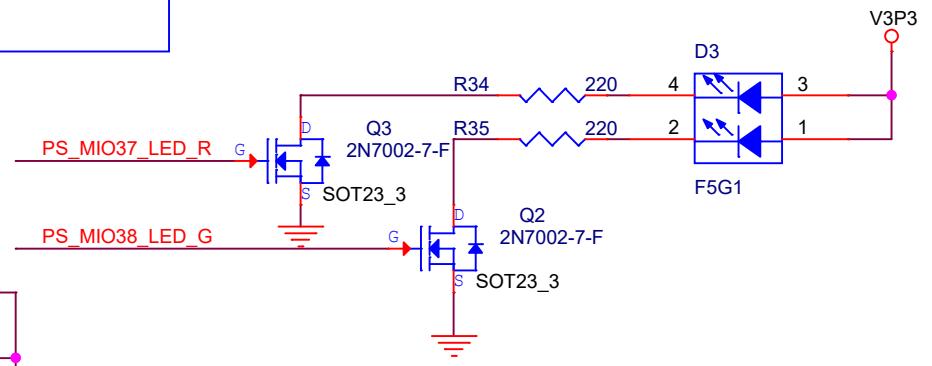
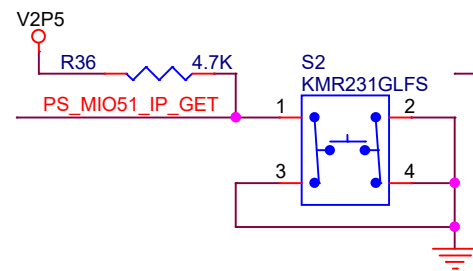
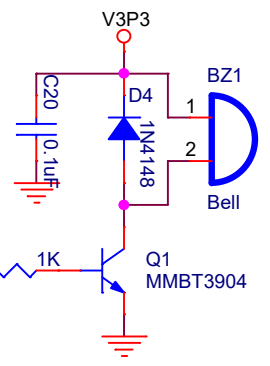
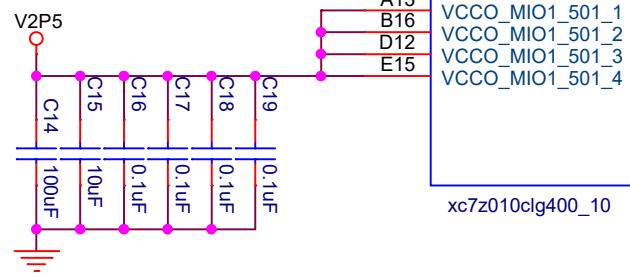
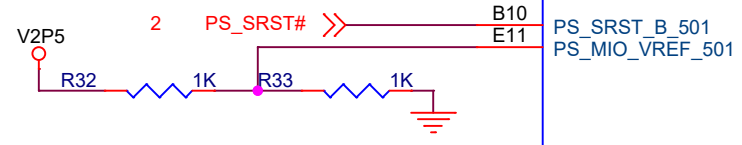
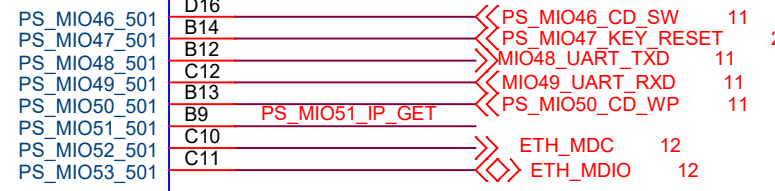
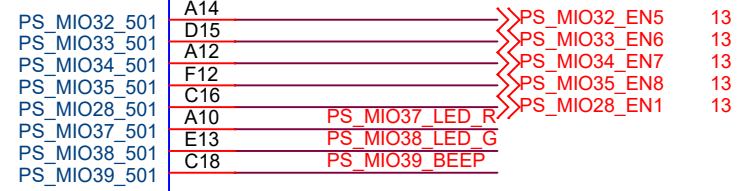
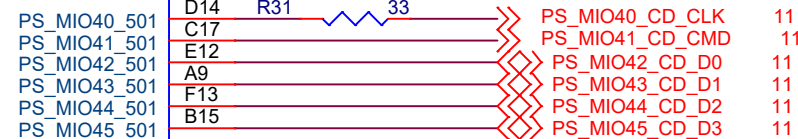
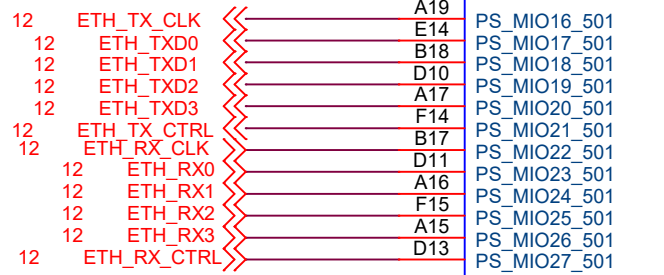
PLL ENABLED
 BANK500: 3.3V
 BANK501: 2.5V



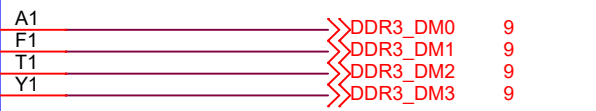
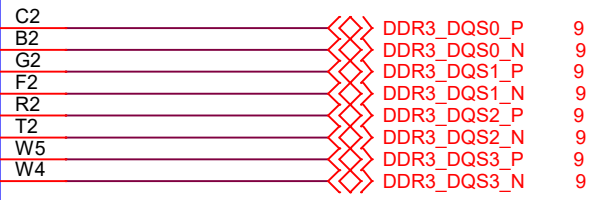
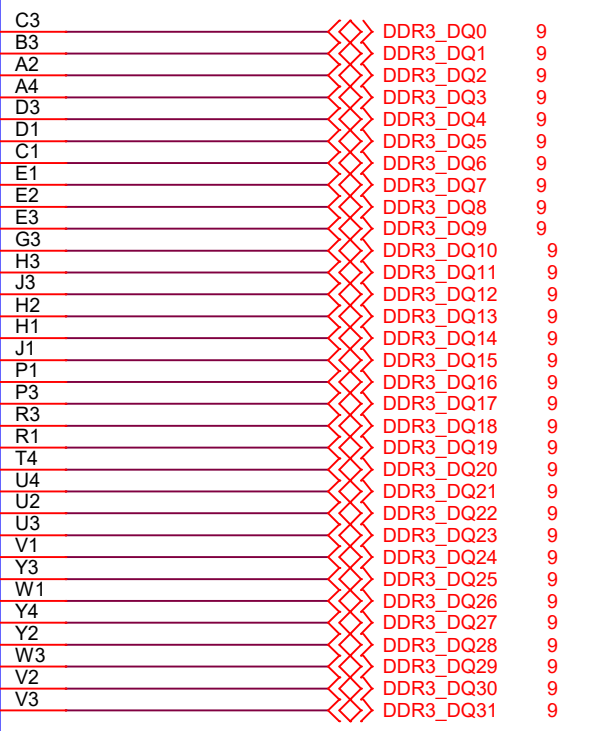
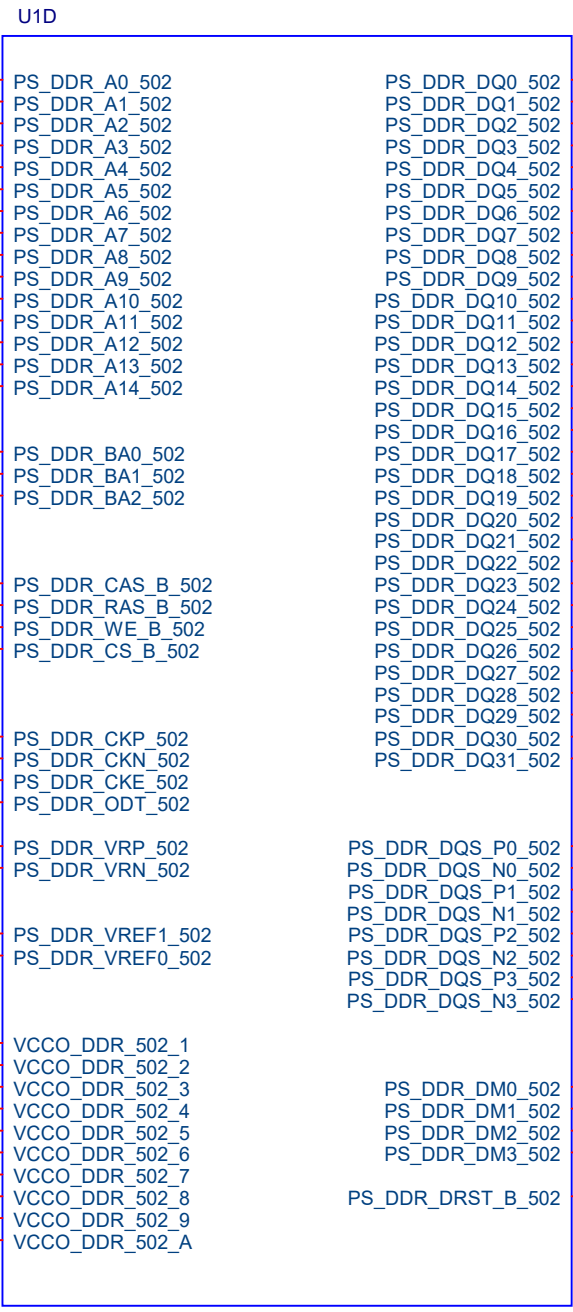
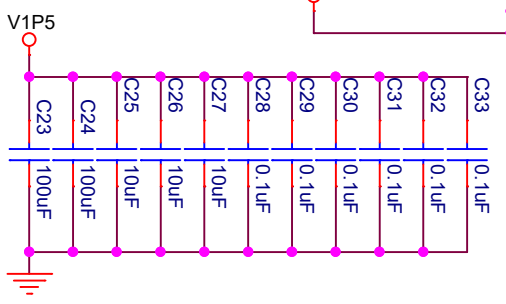
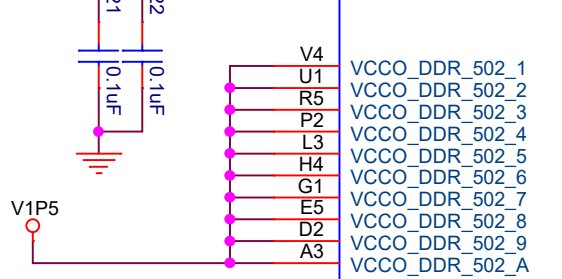
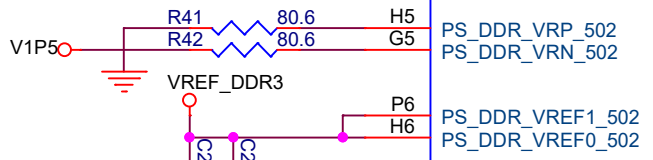
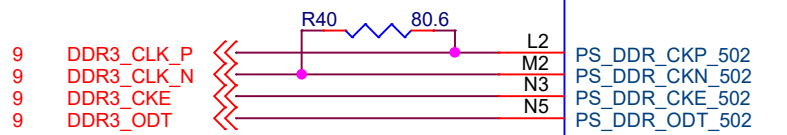
During an SD memory card boot sequence, the BootROM reads the logic level on the MIO pin 0 as an SD Card Detect. MIO pin 0 must be Low during the SDIO boot process.

Title		
AntMiner_ControlBoard_XC7010		
Size	Document Number	Rev
A	<Doc>	V1.0
Date:	Friday, July 01, 2016	Sheet 3 of 15

BANK 501



Title		
AntMiner_ControlBoard_XC7010		
Size	Document Number	Rev
A	<Doc>	V1.0
Date:	Friday, July 01, 2016	Sheet 4 of 15

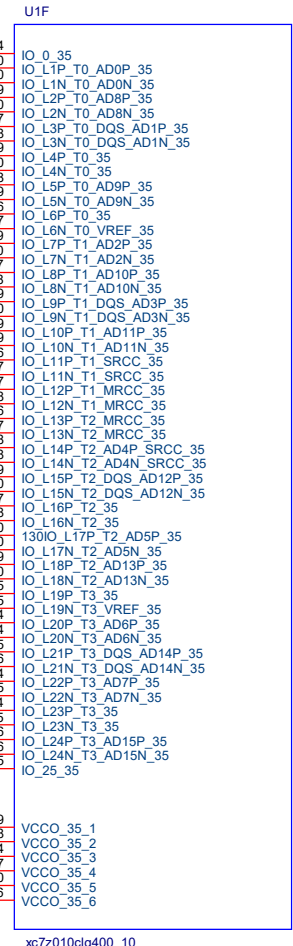
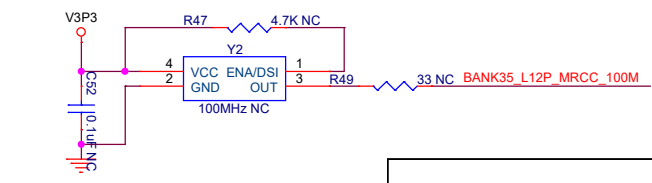
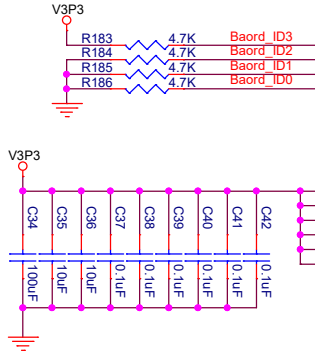
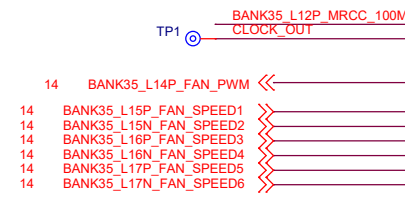
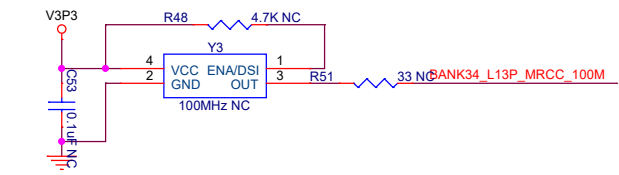
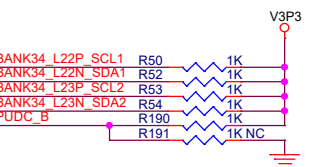
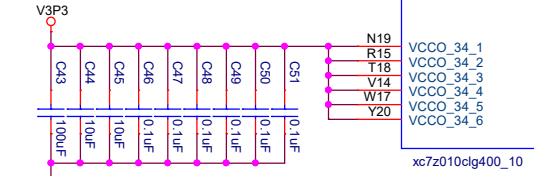
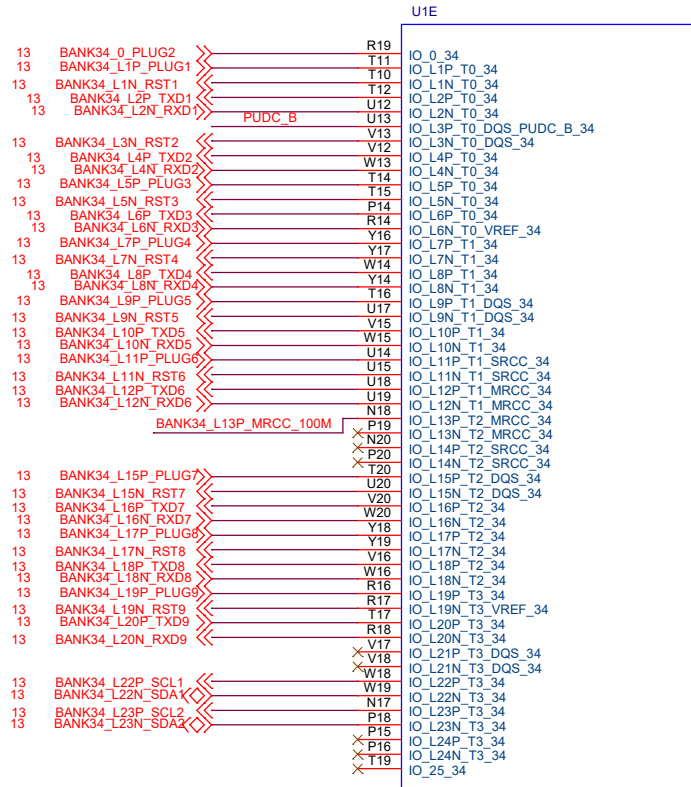


xc7z010clg400_10

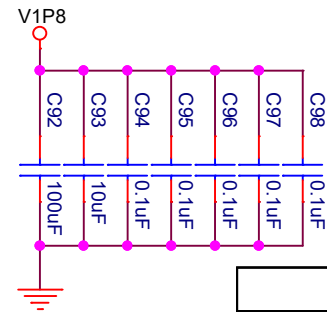
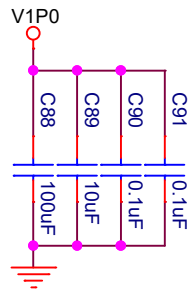
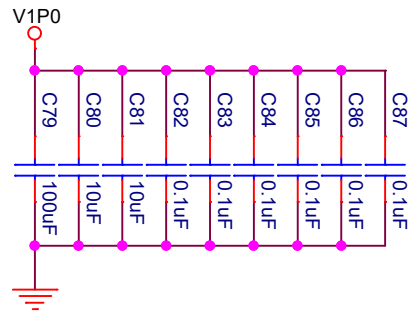
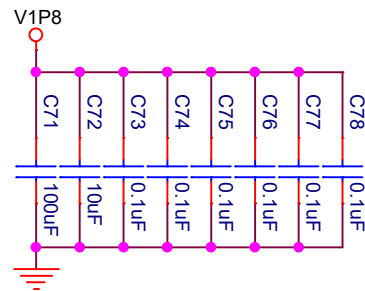
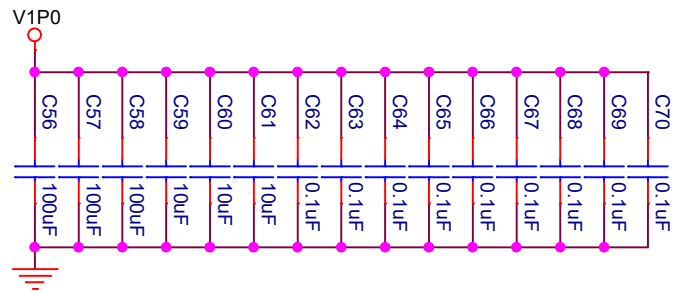
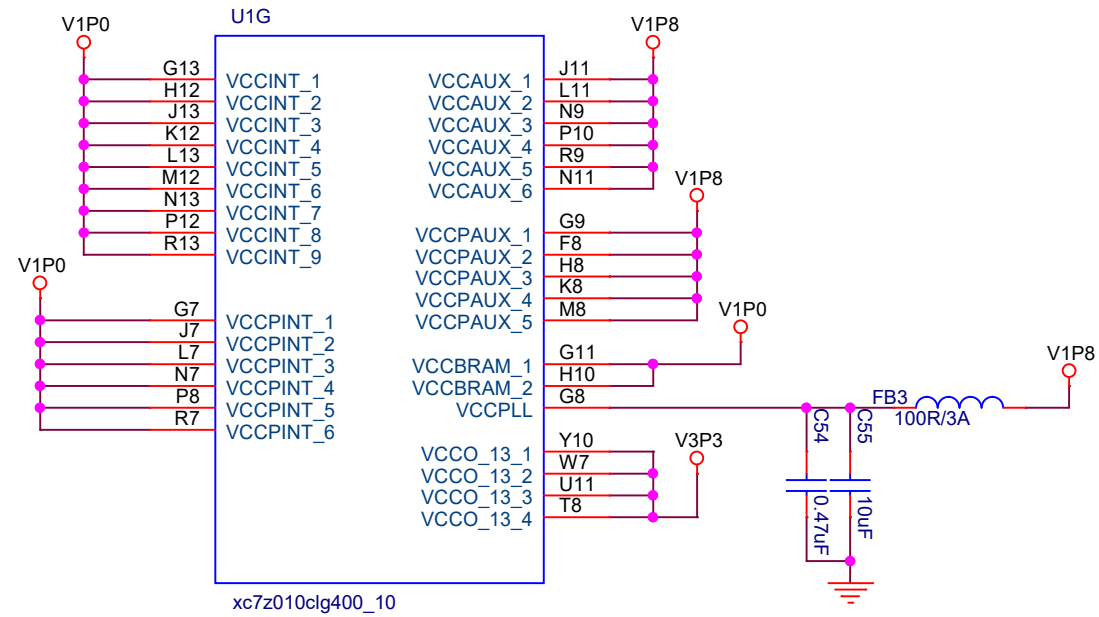
BANK 502

Title		
AntMiner_ControlBoard_XC7010		
Size	Document Number	Rev
A	<Doc>	V1.0
Date:	Friday, July 01, 2016	Sheet 5 of 15

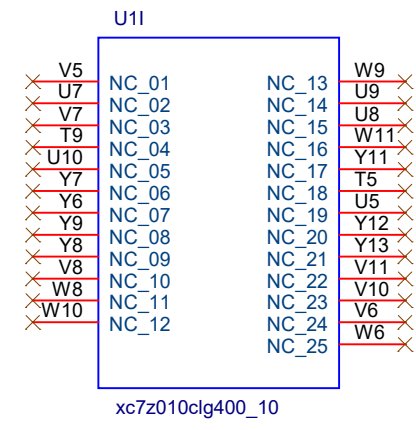
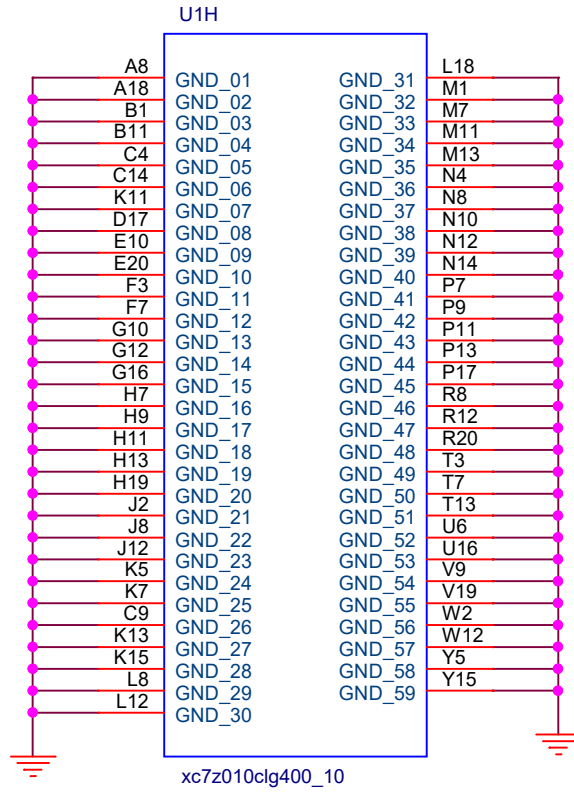
PL BANK34 、 35



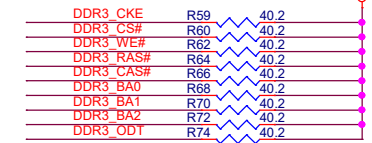
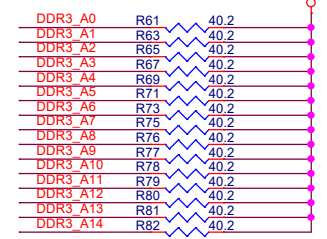
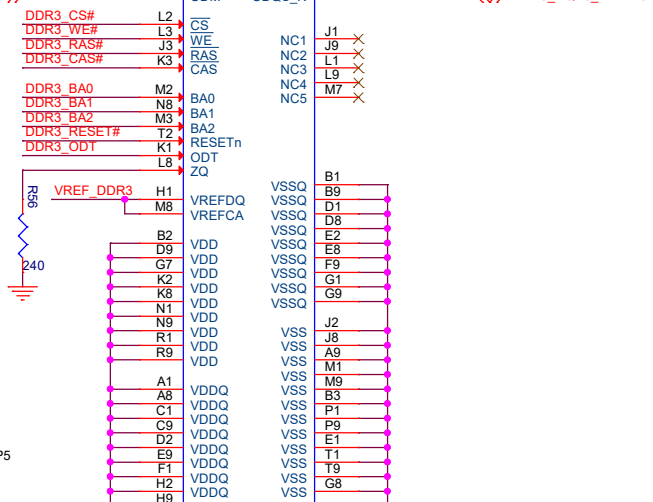
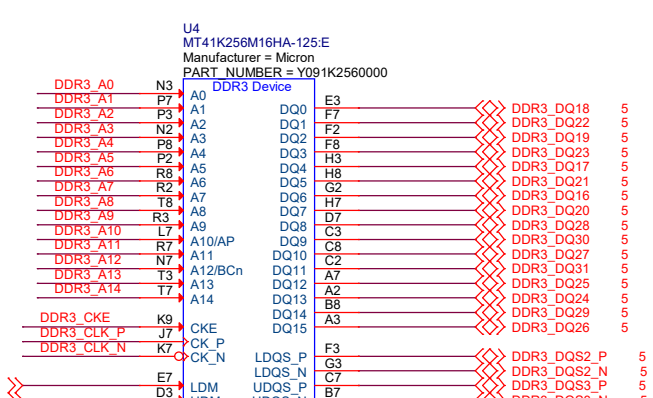
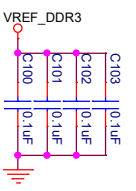
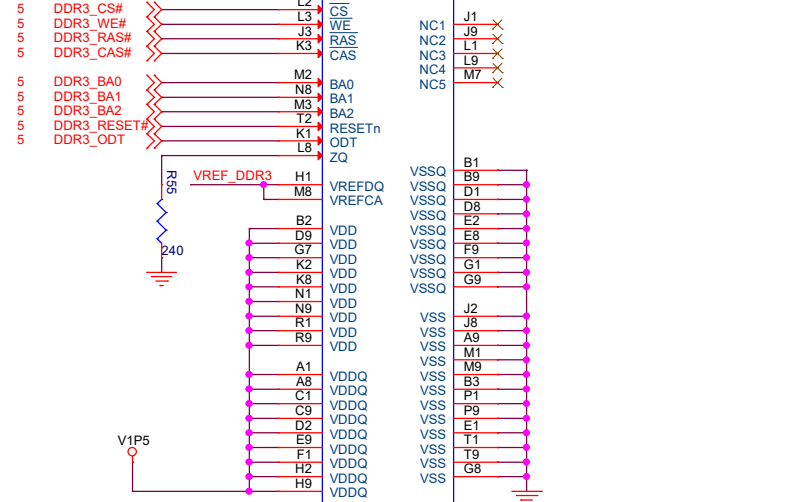
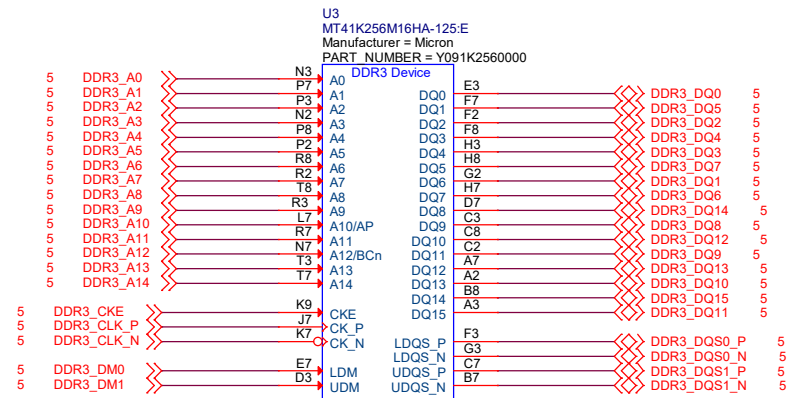
Title		
AntiMiner_ControlBoard_XC7010		
Size	Document Number	Rev
B	<Doc>	V1.0
Date:	Friday, July 01, 2016	Sheet 6 of 15



Title		
AntMiner_ControlBoard_XC7010		
Size	Document Number	Rev
A	<Doc>	V1.0
Date:	Friday, July 01, 2016	Sheet 7 of 15

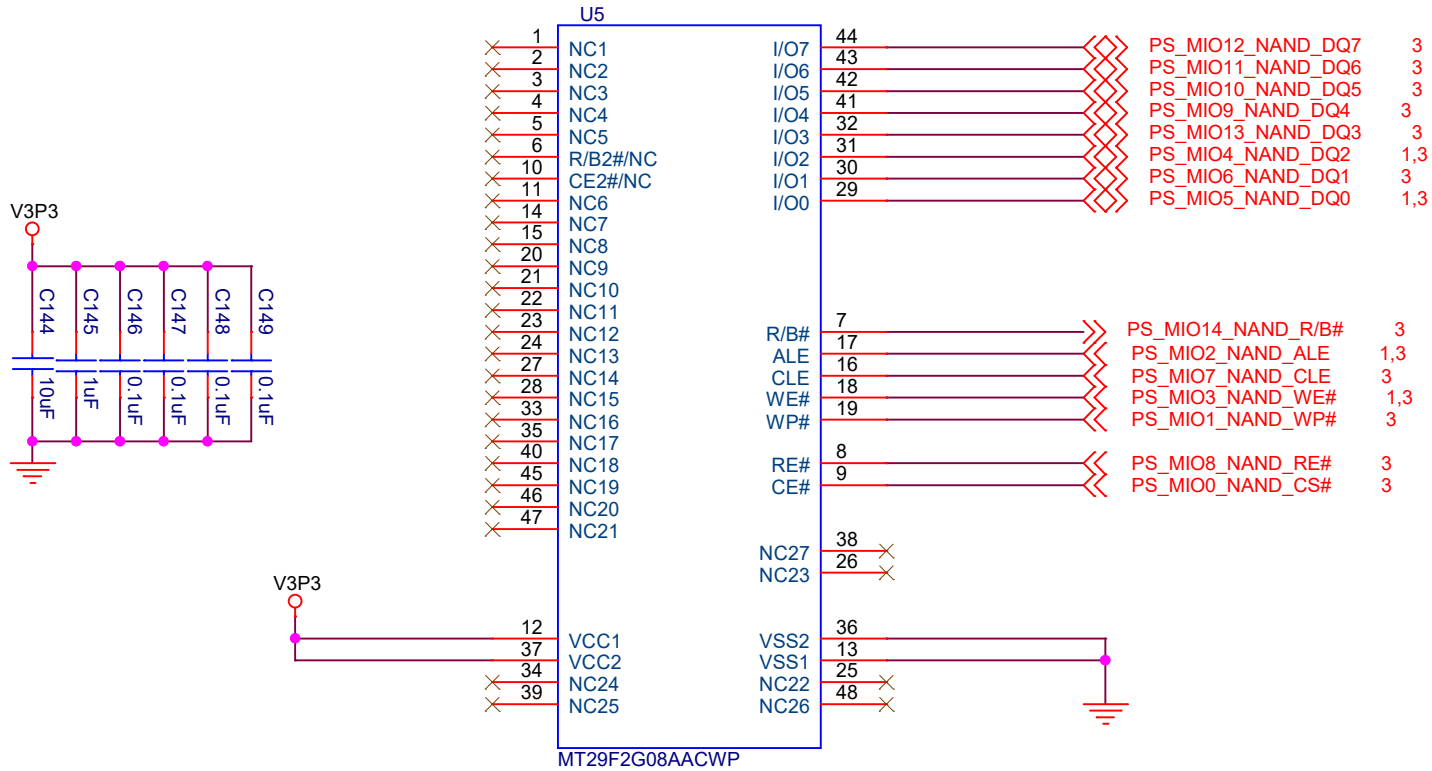


Title		
AntMiner_ControlBoard_XC7010		
Size	Document Number	Rev
A	<Doc>	V1.0
Date:	Friday, July 01, 2016	Sheet 8 of 15



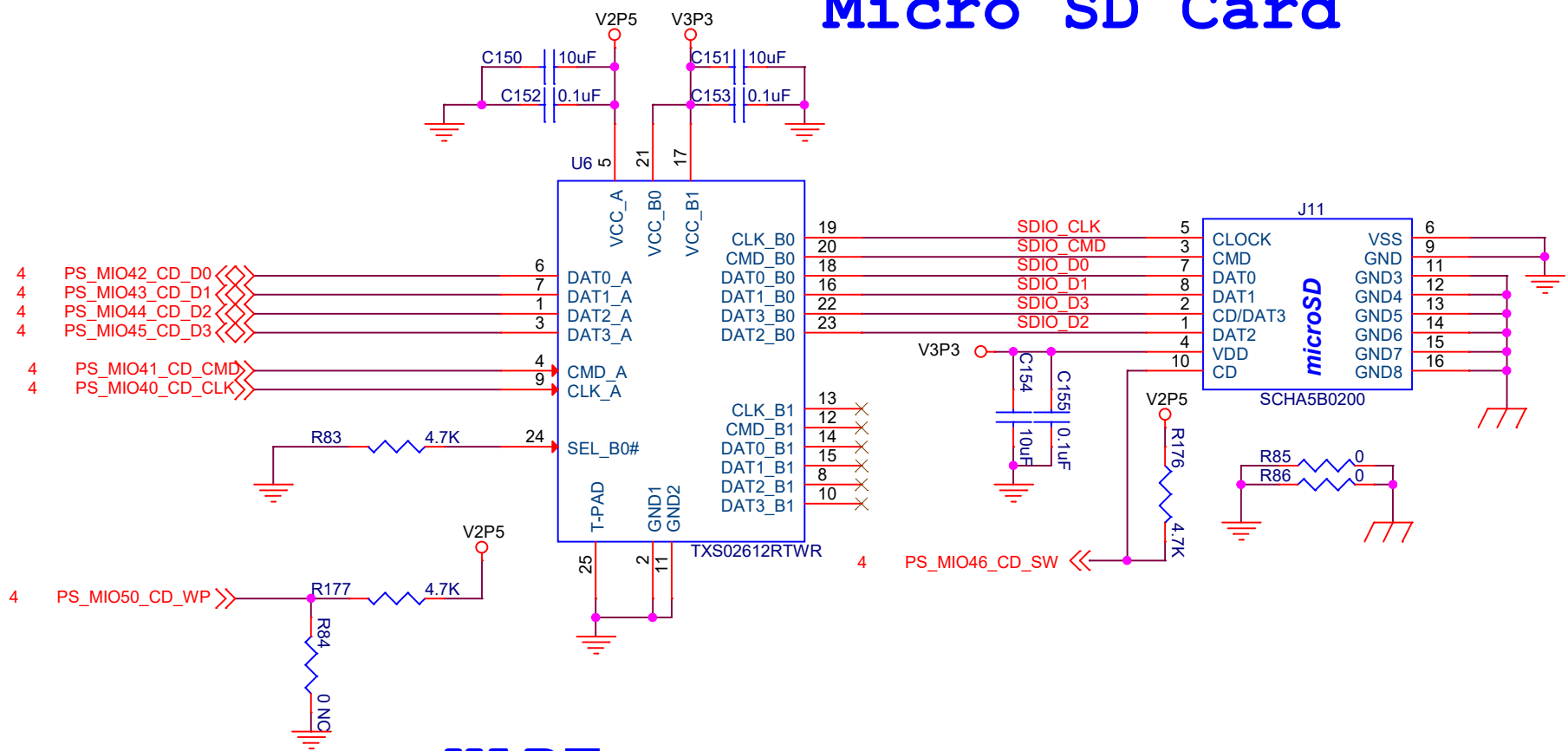
Title		
AntiMiner_ControlBoard_XC7010		
Size	Document Number	Rev
B	<Doc>	V1.0
Date:	Friday, July 01, 2016	Sheet 9 of 15

NAND FLASH

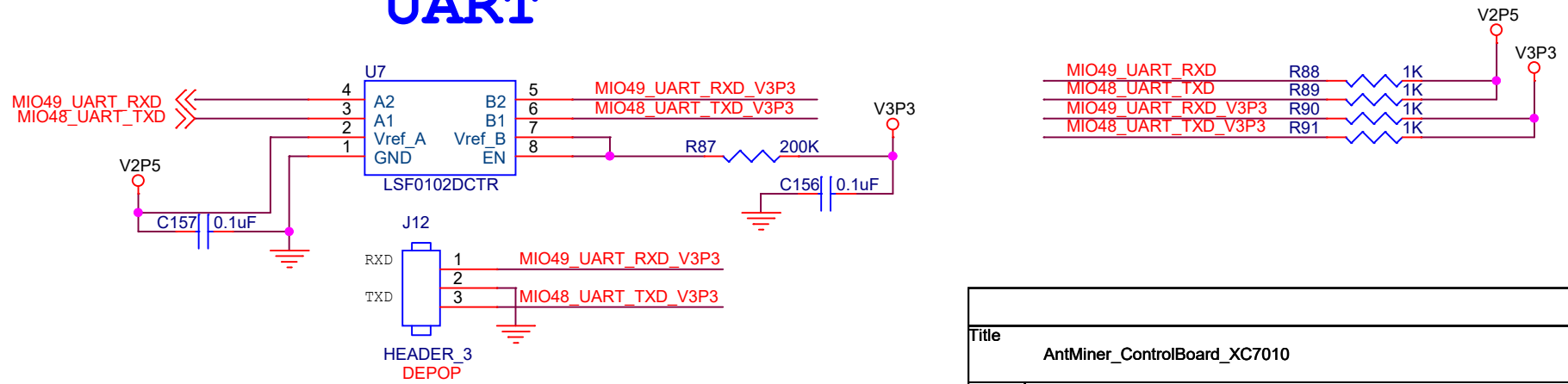


Title		
AntMiner_ControlBoard_XC7010		
Size	Document Number	Rev
A	<Doc>	V1.0
Date:	Friday, July 01, 2016	Sheet 10 of 15

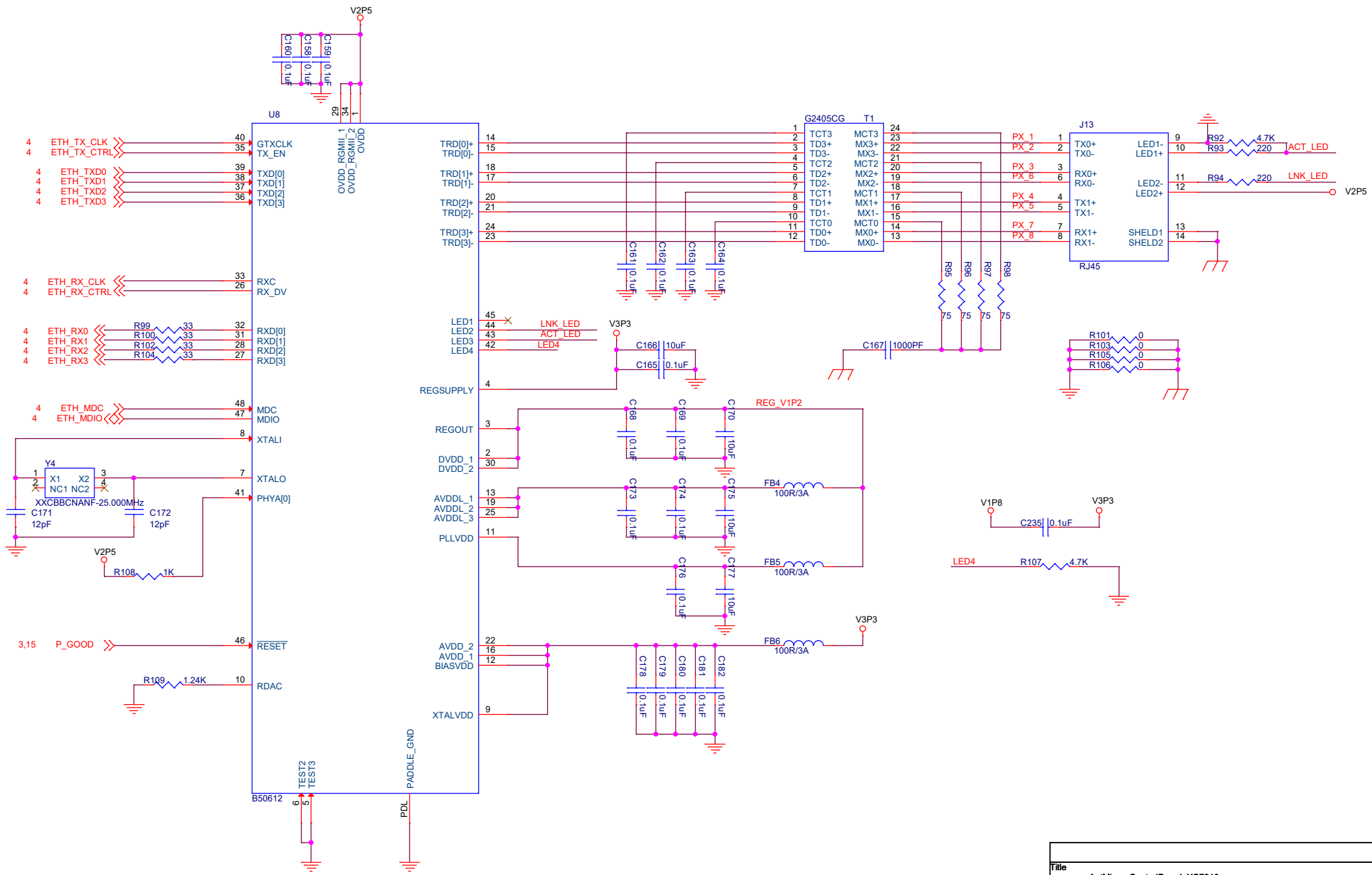
Micro SD Card



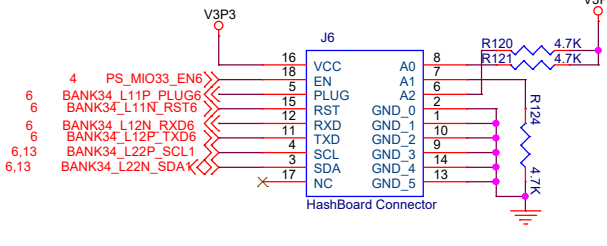
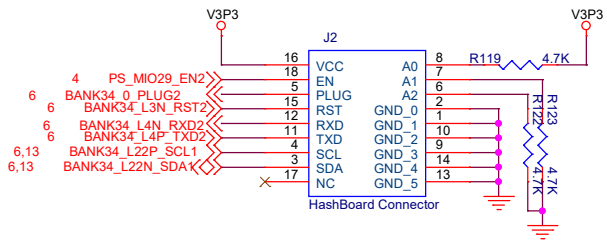
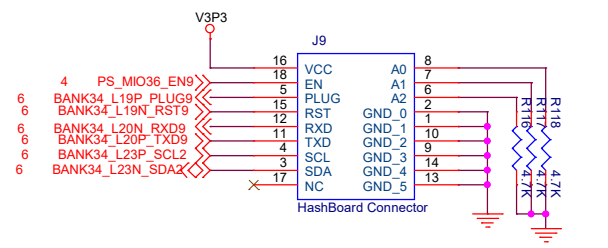
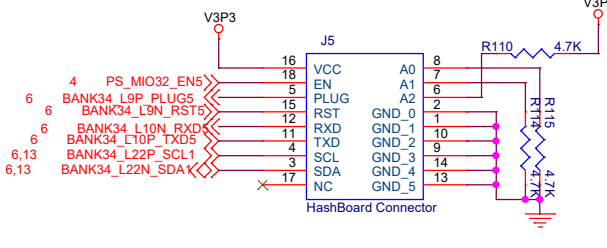
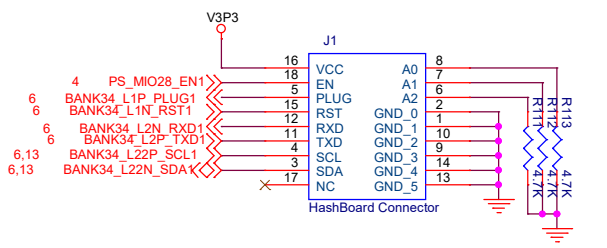
UART



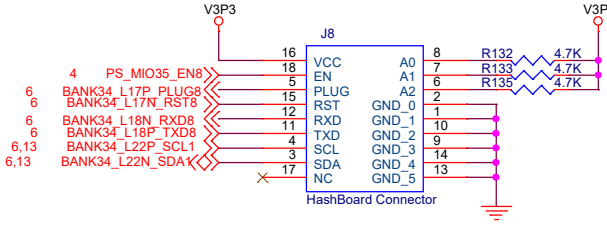
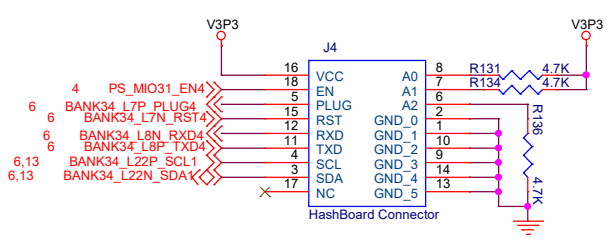
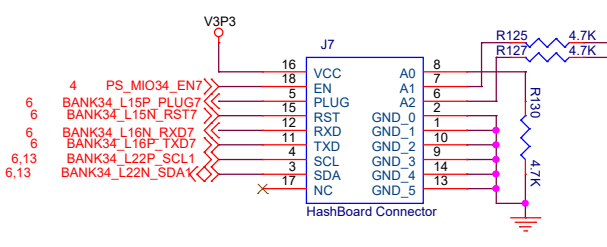
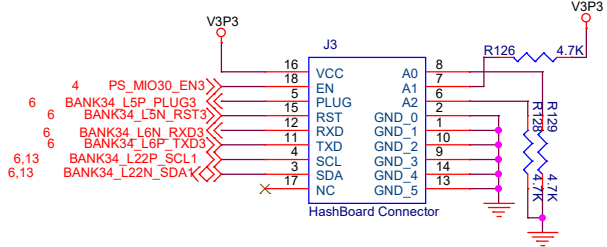
Title		
AntMiner_ControlBoard_XC7010		
Size	Document Number	Rev
A	<Doc>	V1.0
Date:	Friday, July 01, 2016	Sheet 11 of 15



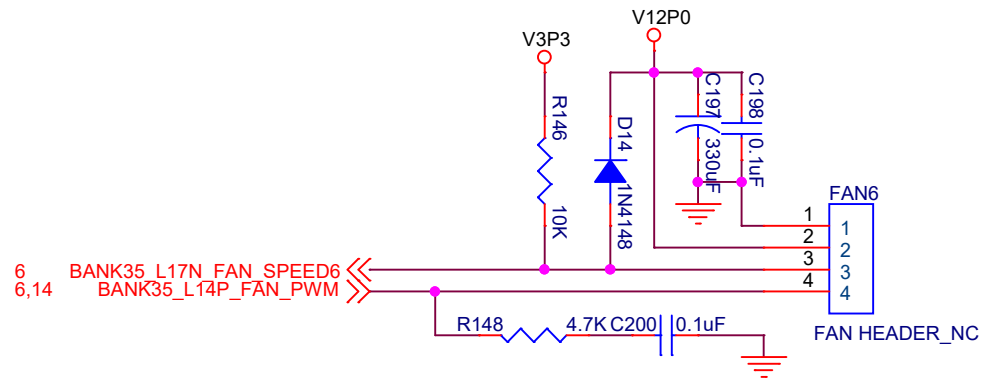
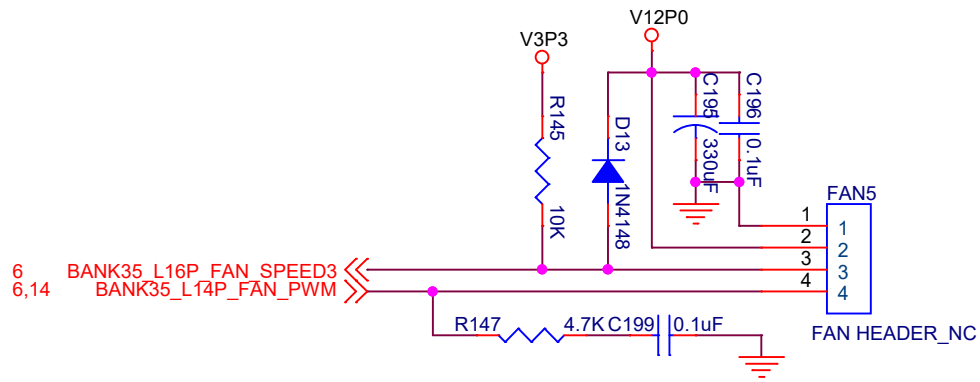
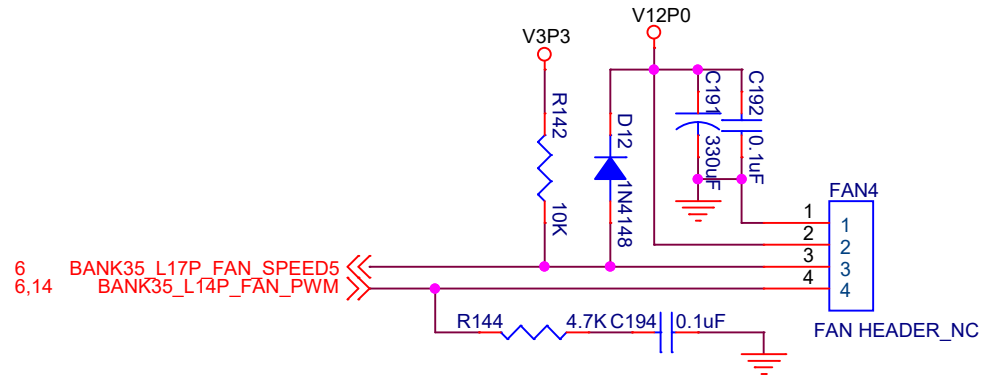
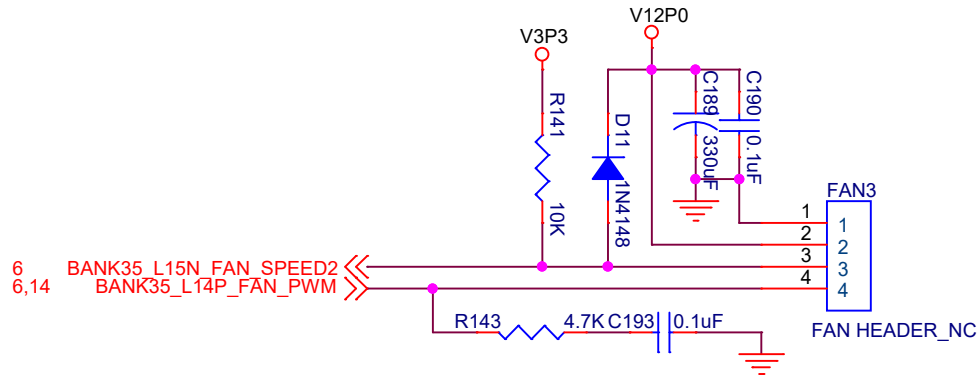
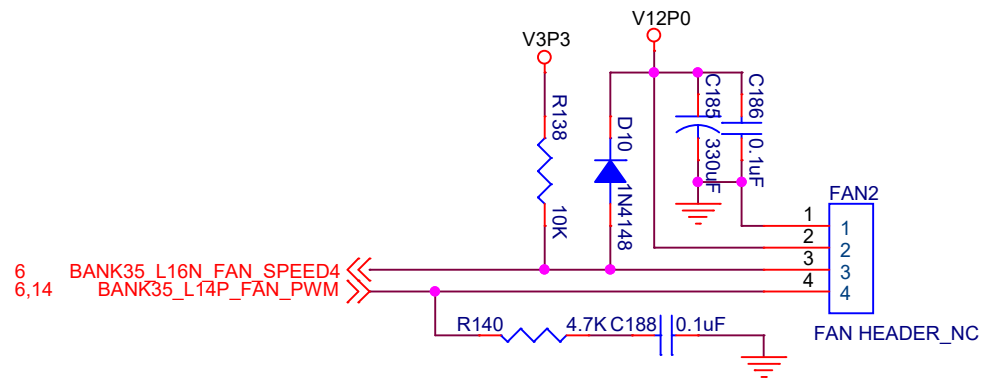
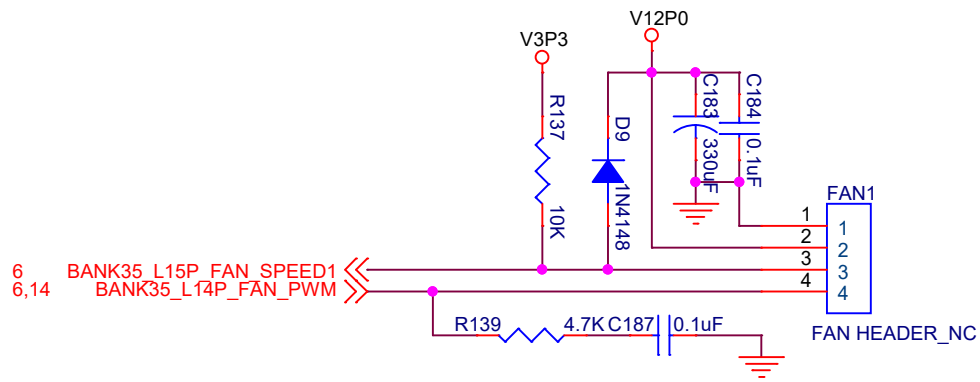
Title		
AntMiner_ControlBoard_XC7010		
Size	Document Number	Rev
B	<Doc>	V1.0
Date:	Friday, July 01, 2016	Sheet 12 of 15



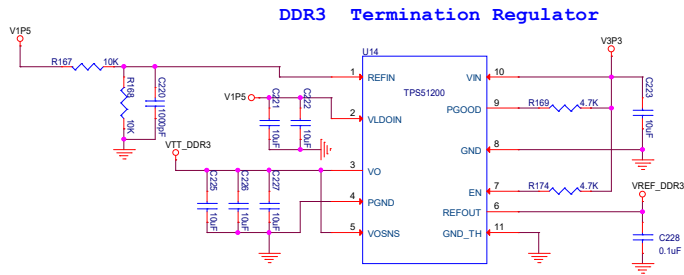
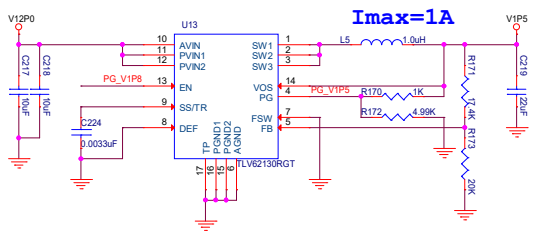
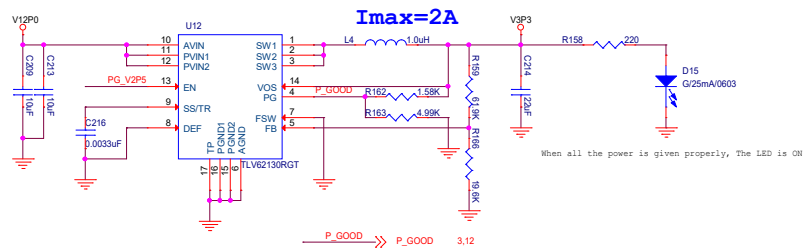
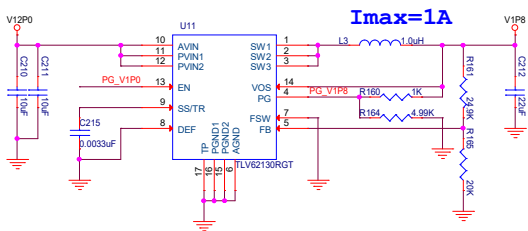
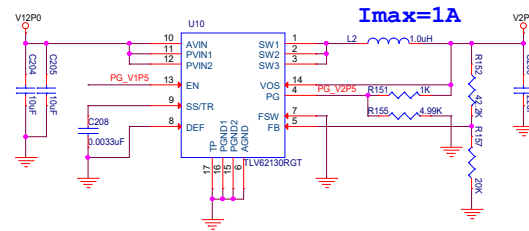
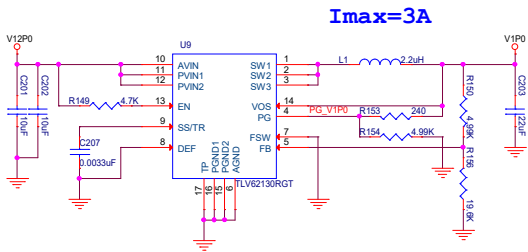
- PS_MIO28_EN1 EN1
- BANK34_L1P_PLUG1 PLUG1
- BANK34_L1N_RST1 RST1
- BANK34_L2P_TXD1 TXD1
- BANK34_L2N_RXD1 RXD1
- PS_MIO29_EN2 EN2
- BANK34_0_PLUG2 PLUG2
- BANK34_L3N_RST2 RST2
- BANK34_L4P_TXD2 TXD2
- BANK34_L4N_RXD2 RXD2
- PS_MIO30_EN3 EN3
- BANK34_L5P_PLUG3 PLUG3
- BANK34_L5N_RST3 RST3
- BANK34_L6P_TXD3 TXD3
- BANK34_L6N_RXD3 RXD3
- PS_MIO31_EN4 EN4
- BANK34_L7P_PLUG4 PLUG4
- BANK34_L7N_RST4 RST4
- BANK34_L8P_TXD4 TXD4
- BANK34_L8N_RXD4 RXD4
- PS_MIO32_EN5 EN5
- BANK34_L9P_PLUG5 PLUG5
- BANK34_L9N_RST5 RST5
- BANK34_L10P_TXD5 TXD5
- BANK34_L10N_RXD5 RXD5
- PS_MIO33_EN6 EN6
- BANK34_L11P_PLUG6 PLUG6
- BANK34_L11N_RST6 RST6
- BANK34_L12P_TXD6 TXD6
- BANK34_L12N_RXD6 RXD6
- PS_MIO34_EN7 EN7
- BANK34_L15P_PLUG7 PLUG7
- BANK34_L15N_RST7 RST7
- BANK34_L16P_TXD7 TXD7
- BANK34_L16N_RXD7 RXD7
- PS_MIO35_EN8 EN8
- BANK34_L17P_PLUG8 PLUG8
- BANK34_L17N_RST8 RST8
- BANK34_L18P_TXD8 TXD8
- BANK34_L18N_RXD8 RXD8
- PS_MIO36_EN9 EN9
- BANK34_L19P_PLUG9 PLUG9
- BANK34_L19N_RST9 RST9
- BANK34_L20P_TXD9 TXD9
- BANK34_L20N_RXD9 RXD9
- BANK34_L22P_SCL1 SCL1
- BANK34_L22N_SDA1 SDA1
- BANK34_L23P_SCL2 SCL2
- BANK34_L23N_SDA2 SDA2



Title		
AntiMiner_ControlBoard_XC7010		
Size	Document Number	Rev
B	<Doc>	V1.0
Date:	Friday, July 01, 2016	Sheet 13 of 15



Title		
AntMiner_ControlBoard_XC7010		
Size	Document Number	Rev
A	<Doc>	V1.0
Date:	Friday, July 01, 2016	Sheet 14 of 15



12V Power CONN

